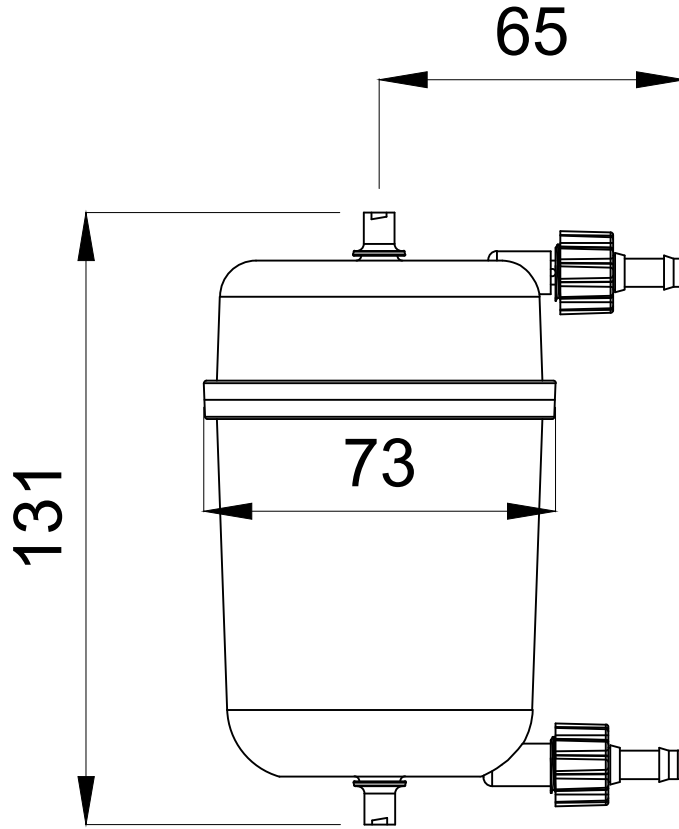


DO NOT SCALE THE DRAWING
ALL DIMENSIONS ARE IN mm



PART	QUANTITY	REF. NO.	DESCRIPTION	MATERIAL	FINISHED SIZE	HARDNESS	REMARK				
REV. NO.	ECN. NO.	DATE	DESCRIPTION	REV. NO.	ECN. NO.	DATE	DESCRIPTION				
mdi Advanced Microdevices Pvt. Ltd. 20, 21, Industrial Area , Ambala Cantt., 133006			REV. NO. FORMAT NO. 5 SCALE NONE PROJ. SPC CONTROL	DATE	SIGN.	TOLERANCE UNLESS SPECIFIED					
5" Capsule Filter with Female Luer Lock				DRAWN			1Dec.PI	2Dec.PI	3Dec.PI	4Dec.PI	
				DESIGNED			C	A±0.100	A±0.050	A±0.025	A±0.010
				CHECKED			T	A±0.050	A±0.025	A±0.010	A±0.000
				APPROVED			S				
TOOL No.			COMP. No.	STORE No.	SHEET 1 OF 1						